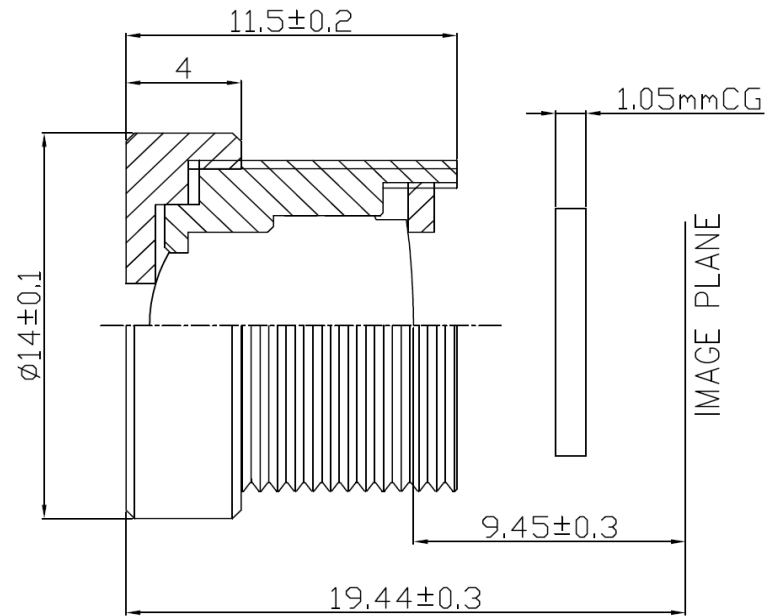


## SPECIFICATION

IMAGE FORMAT	2/3"
FOCAL LENGTH	12mm
F.O.V.	50°(D)
	39°(H)
	28°(V)
RESOLUTION	5 MP
DISTORTION	<-1.4%
APERTURE	F4.0
MOUNT	M12x0.5
IRIS	Fixed
M.O.D.	0.1m
B.F.L.	8.59mm
T.T.L.(mm)	19.44
DIMENSION	Φ14x11.5mm
CONSTRUCTION	6G



SCALE		DRAWN		MODEL	<b>CCL2312MPR4</b>	REV	DESCRIPTION	DATE	NAME
DATE		CHECK		 香港致远电子集团有限公司 HONGKONG TOWIN ELECTRONICS CO.,LTD.		①			
UNIT	mm	APPROVE				②			
						③			