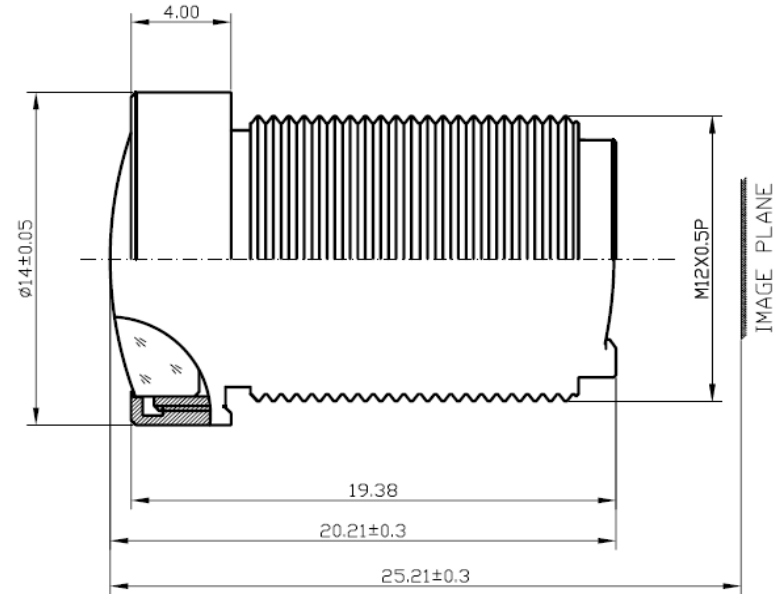


# SPECIFICATION

IMAGE FORMAT	1/2"
FOCAL LENGTH	3mm
F.O.V.	160°(D)
	130°(H)
	98°(V)
RESOLUTION	3Megapixel
APERTURE	F2.0
MOUNT	M12X0.5
IRIS	Fixed
FOCUS	Manual
ZOOM	Fixed
B.F.L.	5.08mm
M.O.D.	0.1m
IR	Corrected



SCALE		DRAWN		MODEL	<b>CCL12030MP</b>	REV	DESCRIPTION	DATE	NAME
DATE		CHECK		 香港致远电子集团有限公司 HONGKONG TOWIN ELECTRONICS CO.,LTD.	①				
UNIT	mm	APPROVE			②				
					③				