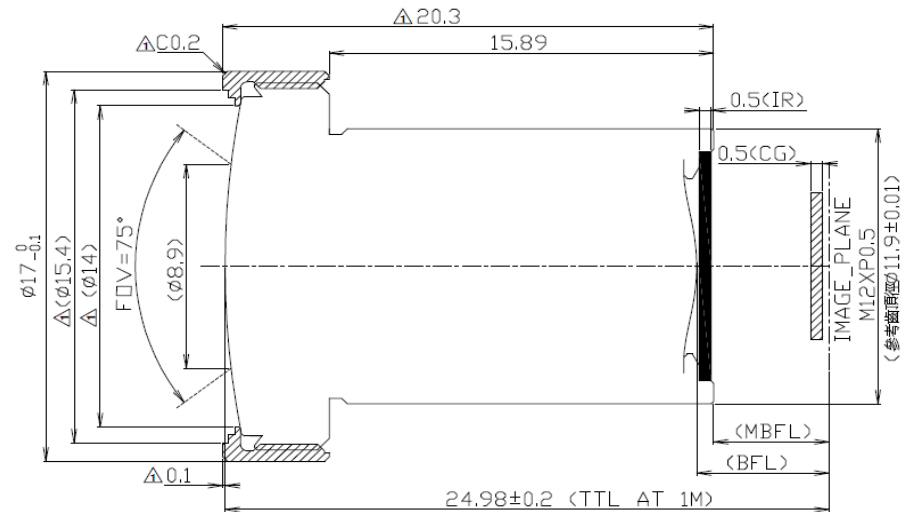


# SPECIFICATION

IMAGE FORMAT	1/2"
FOCAL LENGTH	5.9mm
F.O.V.	75°(D)
	65°(H)
	38° (V)
RESOLUTION	6 MP
APERTURE	F1.6
DISTORTION	<-10%
MOUNT	M12
IRIS	Fixed
FOCUS	Manual
ZOOM	Fixed
B.F.L.	5.48mm
CONSTRUCTION	4G2P+IR



SCALE		DRAWN		MODEL	<b>CCL12059MPF</b>	REV	DESCRIPTION	DATE	NAME
DATE		CHECK		 香港致远电子集团有限公司 HONGKONG TOWIN ELECTRONICS CO.,LTD.		①			
UNIT	mm	APPROVE				②			
						③			