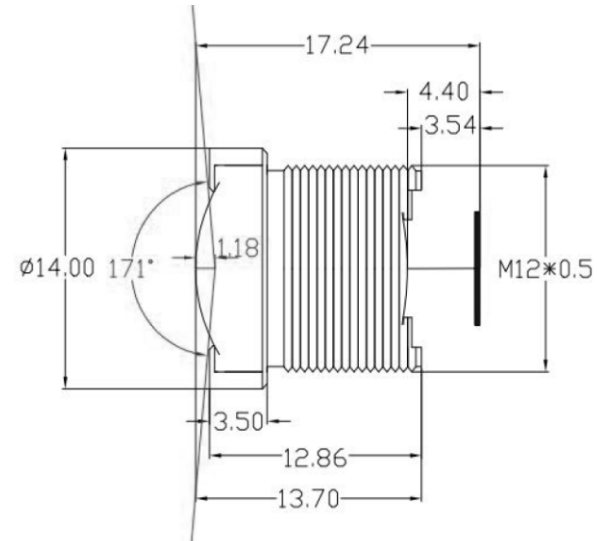


# SPECIFICATION

IMAGE FORMAT	1/3"
FOCAL LENGTH	2.1mm
F.O.V.	155°(D)
	125°(H)
	72° (V)
RESOLUTION	4 MP
APERTURE	F1.4
MOUNT	M12X0.5
IRIS	Fixed
FOCUS	Manual
ZOOM	Fixed
B.F.L.	4.40mm
IR	Corrected



SCALE		DRAWN		MODEL	<b>CCL13021MPR3</b>	REV	DESCRIPTION	DATE	NAME
DATE		CHECK		 香港致远电子集团有限公司 HONGKONG TOWIN ELECTRONICS CO.,LTD.		①			
UNIT	mm	APPROVE				②			
						③			