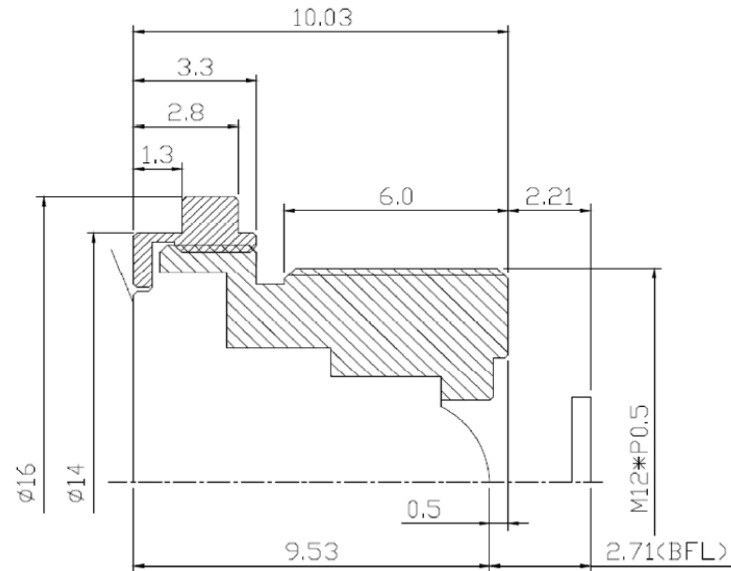


# SPECIFICATION

IMAGE FORMAT	1/3"
FOCAL LENGTH	1.5mm
F.O.V.	150°(D)
	115°(H)
	85°(V)
RESOLUTION	Megapixel
OPTICAL DISTORTION	<-45%
APERTURE	F2.0
MOUNT	M12X0.5
IRIS	Fixed
FOCUS	Manual
ZOOM	Fixed
B.F.L.	2.71mm
M.O.D.	0.15m
LENS COMPONENT	2G2P+IR cut



SCALE		DRAWN		MODEL	<b>CCLA13015MPF</b>	REV	DESCRIPTION	DATE	NAME
DATE		CHECK		 香港致远电子集团有限公司 HONGKONG TOWIN ELECTRONICS CO.,LTD.		①			
UNIT	mm	APPROVE				②			
						③			