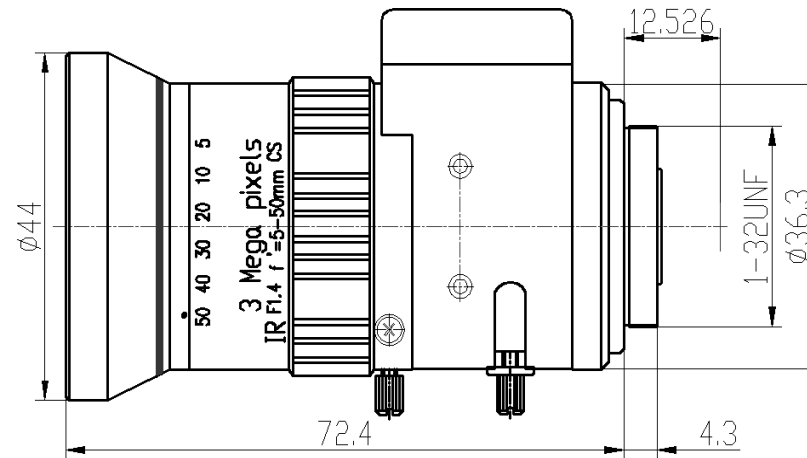


SPECIFICATION

IMAGE FORMAT	1/2.7"
FOCAL LENGTH	5-50mm
H F.O.V.	50.9°~6.2°
RESOLUTION	3 Megapixel
APERTURE	F1.4
MOUNT	CS
IRIS	DC Auto
FOCUS	Manual
ZOOM	Manual
M.O.D.	1.5m
B.F.L.	8.1~15.73mm
IR	Corrected



SCALE		DRAWN		MODEL	CCL1270550AMPR	REV	DESCRIPTION	DATE	NAME
DATE		CHECK		 香港致远电子集团有限公司 HONGKONG TOWIN ELECTRONICS CO.,LTD.		①			
UNIT	mm	APPROVE				②			
						③			