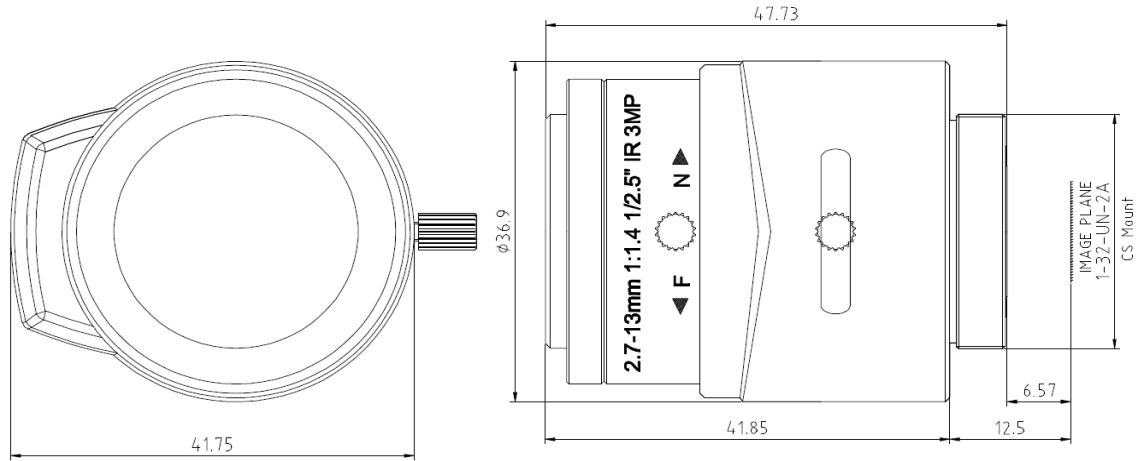


SPECIFICATION

IMAGE FORMAT	1/2.5"
FOCAL LENGTH	2.7-13mm
H F.O.V.	114°~25°
RESOLUTION	3 MegaPixel
DISTORTION	-32%~-3%
APERTURE	F1.4-C
MOUNT	CS
IRIS	Auto
FOCUS	Manual
ZOOM	Manual
M.O.D.	0.1m
IR	Corrected



SCALE		DRAWN		MODEL	CS271312514A3	REV	DESCRIPTION	DATE	NAME
DATE		CHECK		 香港致远电子集团有限公司 HONGKONG TOWIN ELECTRONICS CO.,LTD.		①			
UNIT	mm	APPROVE				②			
						③			