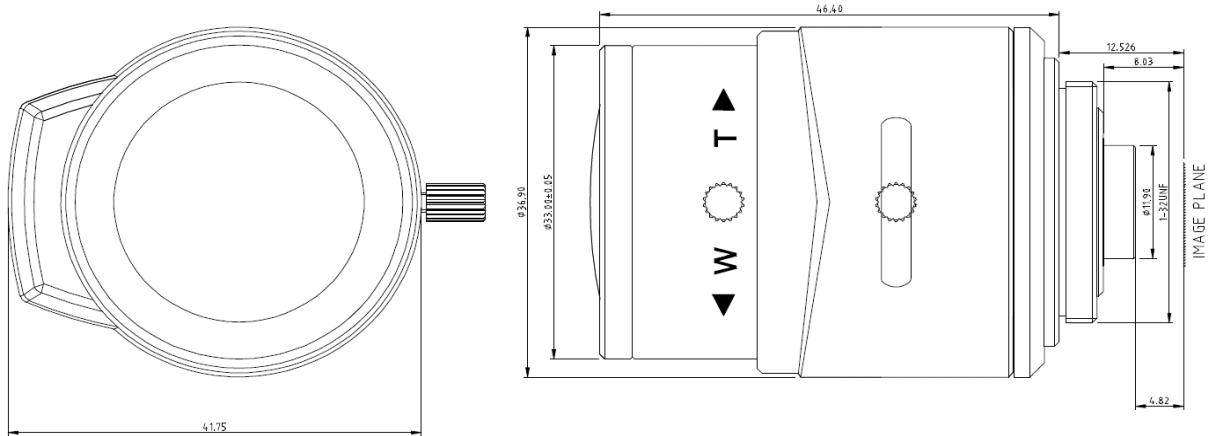


# SPECIFICATION

IMAGE FORMAT	1/2.7"
FOCAL LENGTH	2.7-13mm
H F.O.V.	122°~23°
RESOLUTION	3 MegaPixel
DISTORTION	-80%~-2%
APERTURE	F1.3-C
MOUNT	CS
IRIS	Auto
FOCUS	Manual
ZOOM	Manual
M.O.D.	0.1m
IR	Corrected



SCALE		DRAWN		MODEL	<b>CS271312713A3</b>	REV	DESCRIPTION	DATE	NAME
DATE		CHECK		 香港致远电子集团有限公司 HONGKONG TOWIN ELECTRONICS CO.,LTD.		①			
UNIT	mm	APPROVE				②			
						③			