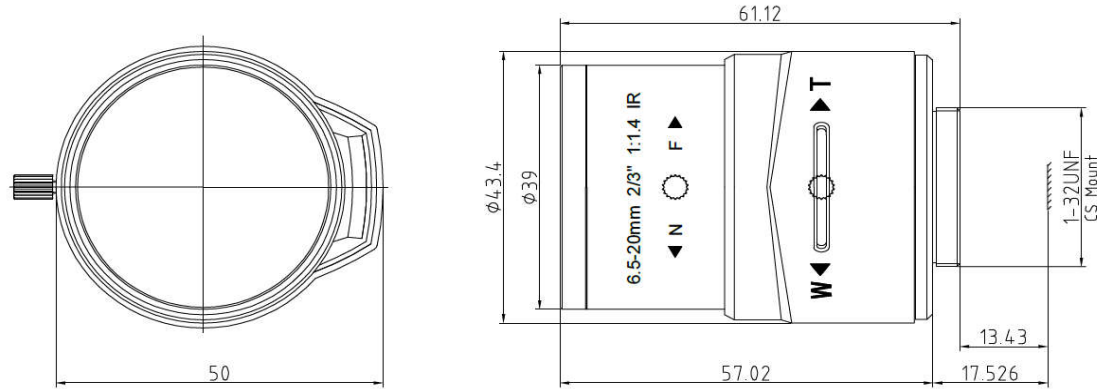


SPECIFICATION

| | |
|--------------|-------------|
| IMAGE FORMAT | 2/3" |
| FOCAL LENGTH | 6.5-20mm |
| H F.O.V. | 74°~27° |
| RESOLUTION | 3 MegaPixel |
| DISTORTION | -16%~-0.6% |
| APERTURE | F1.4-C |
| MOUNT | C |
| IRIS | Auto |
| FOCUS | Manual |
| ZOOM | Manual |
| M.O.D. | 0.1m |
| IR | Corrected |



| | | | | | | | | | |
|-------|----|---------|--|--|--------------------|-----|-------------|------|------|
| SCALE | | DRAWN | | MODEL | C65202314A3 | REV | DESCRIPTION | DATE | NAME |
| DATE | | CHECK | |  香港致远电子集团有限公司 HONGKONG TOWIN ELECTRONICS CO.,LTD. | | ① | | | |
| UNIT | mm | APPROVE | | | | ② | | | |
| | | | | | | ③ | | | |