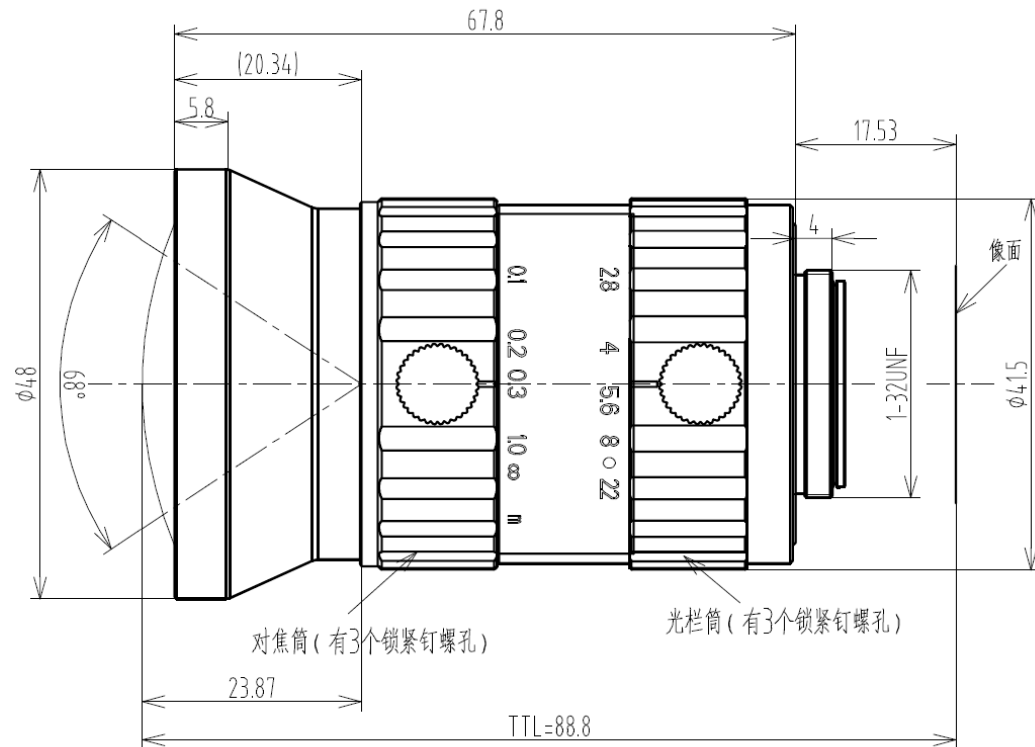


SPECIFICATION

IMAGE FORMAT	1.1"
FOCAL LENGTH	12mm
F.O.V.	67°(D)
	57°(H)
	45°(V)
RESOLUTION	20 MP
APERTURE	F2.8~22
TV DISTORTION	<1.5%
MOUNT	C-Mount
B.F.L.	10.6mm
IRIS	Manual
FOCUS	Manual
ZOOM	Manual
M.O.D.	0.1m



SCALE		DRAWN		MODEL	C1211028M20	REV	DESCRIPTION	DATE	NAME
DATE		CHECK		 香港致远电子集团有限公司 HONGKONG TOWIN ELECTRONICS CO.,LTD.	①				
UNIT	mm	APPROVE			②				
					③				