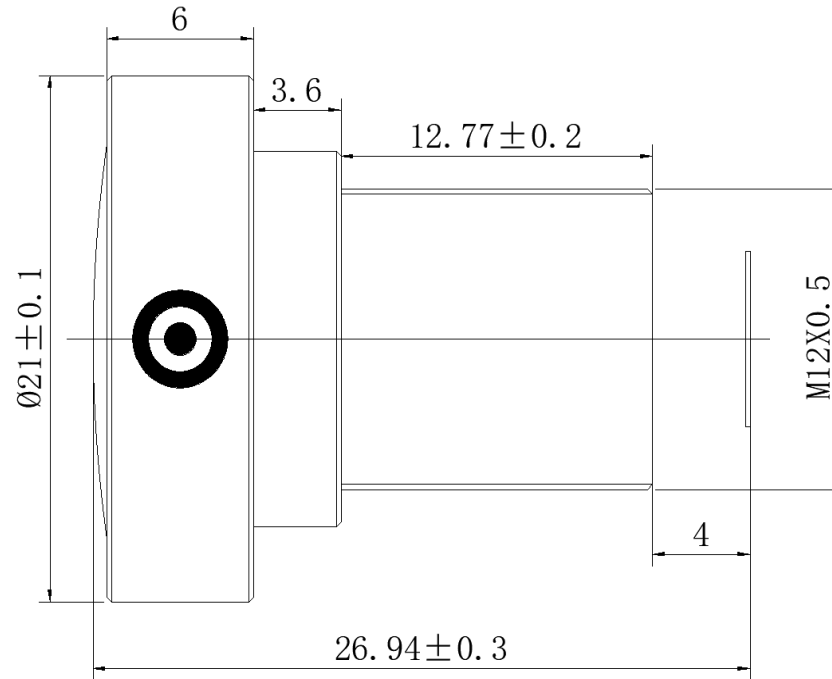


SPECIFICATION

IMAGE FORMAT	Max Φ 7.0mm
FOCAL LENGTH	4.3mm
F.O.V.(IMX676)	180°(D=10.0)
	180°(H=7.07)
	180°(V=7.07)
RESOLUTION	12 MP
TV DISTORTION	<-29%
APERTURE	F2.0
MOUNT	M12x0.5
IRIS	Fixed
M.O.D.	0.2m
T.T.L.	26.94mm
STRUCTURE	With IRCF



SCALE	2:1	DRAWN		MODEL	S7018020F	REV	DESCRIPTION	DATE	NAME
DATE		CHECK		 香港致远电子集团有限公司 HONGKONG TOWIN ELECTRONICS CO.,LTD.		①			
UNIT	mm	APPROVE				②			
						③			