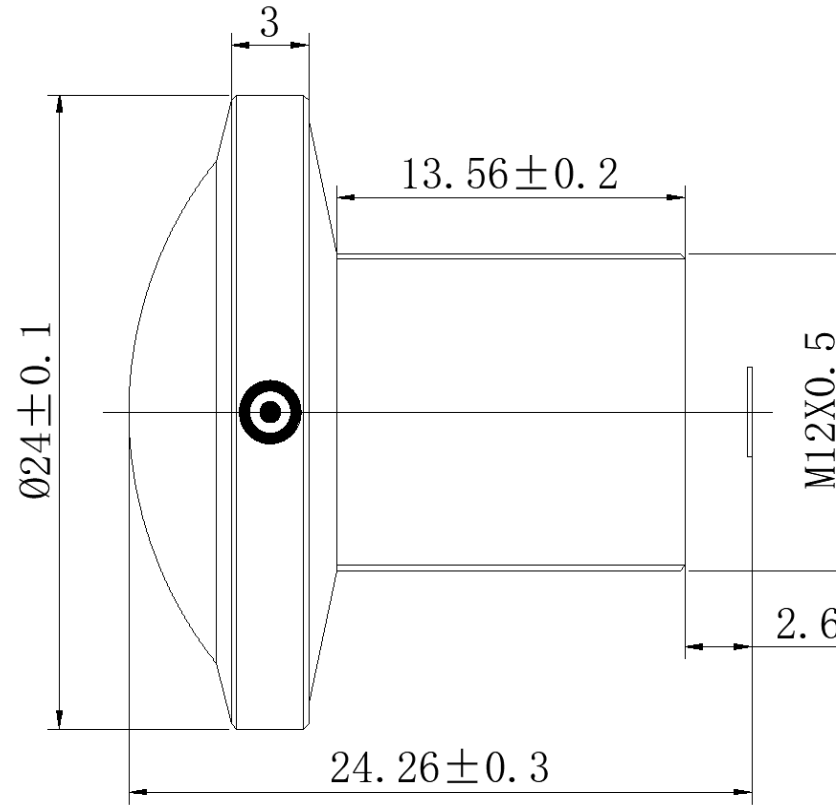


# SPECIFICATION

IMAGE FORMAT	Max $\Phi$ 3.4mm
FOCAL LENGTH	1.0mm
F.O.V.(IMX662)	209°(D=6.39)
	209°(H=5.57)
	194°(V=3.13)
RESOLUTION	5 MP
F- $\theta$ DISTORTION	<-2.9%
APERTURE	F2.0
MOUNT	M12x0.5
IRIS	Fixed
M.O.D.	0.2m
T.T.L.	24.26mm
STRUCTURE	Without IRCF



SCALE	2:1	DRAWN		MODEL	<b>S3421020</b>	REV	DESCRIPTION	DATE	NAME
DATE		CHECK		 香港致远电子集团有限公司 HONGKONG TOWIN ELECTRONICS CO.,LTD.	①				
UNIT	mm	APPROVE			②				
					③				