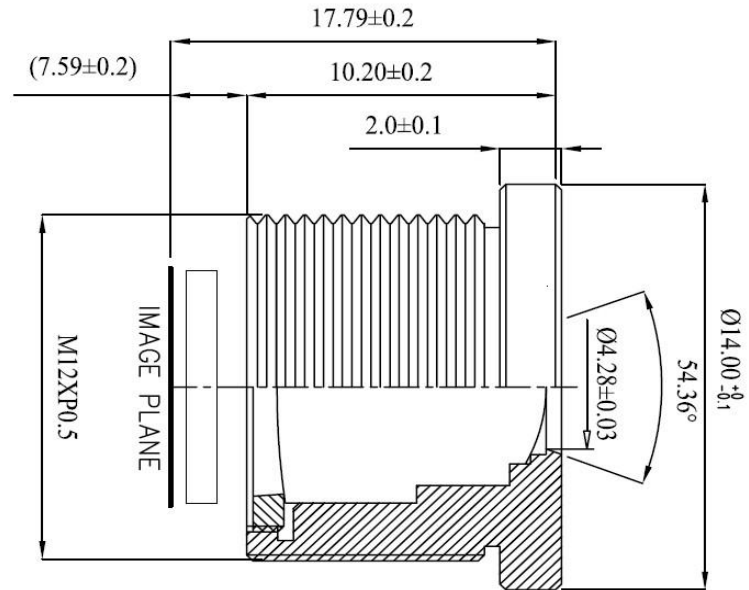


SPECIFICATION

IMAGE FORMAT	2/3"
FOCAL LENGTH	12mm
F.O.V.	51°(D)
	40°(H)
	29°(V)
RESOLUTION	5 MP
DISTORTION	<-1.5%
APERTURE	F2.8
MOUNT	M12x0.5
IRIS	Fixed
M.O.D.	0.1m
T.T.L.	18.05mm
B.F.L.	8.56mm
DIMENSION	Φ14x10.2mm
LENS COMPONENT	6G
IR	Corrected



SCALE		DRAWN		MODEL	CCL2312MP	REV	DESCRIPTION	DATE	NAME
DATE		CHECK		 香港致远电子集团有限公司 HONGKONG TOWIN ELECTRONICS CO.,LTD.	①				
UNIT	mm	APPROVE			②				
					③				